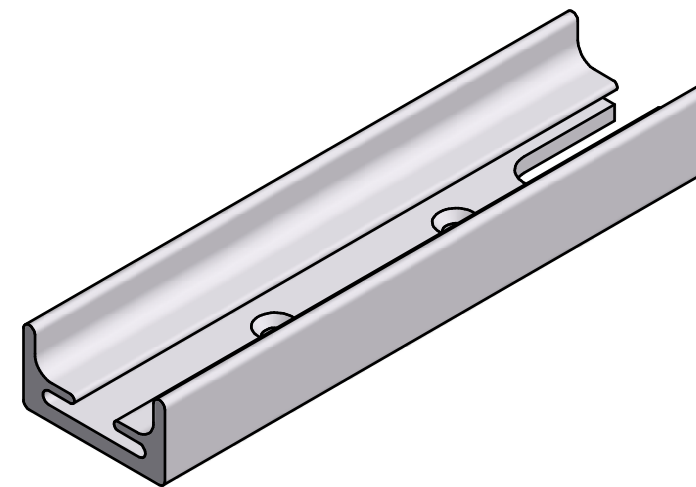
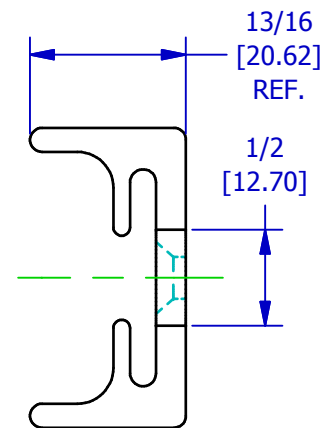
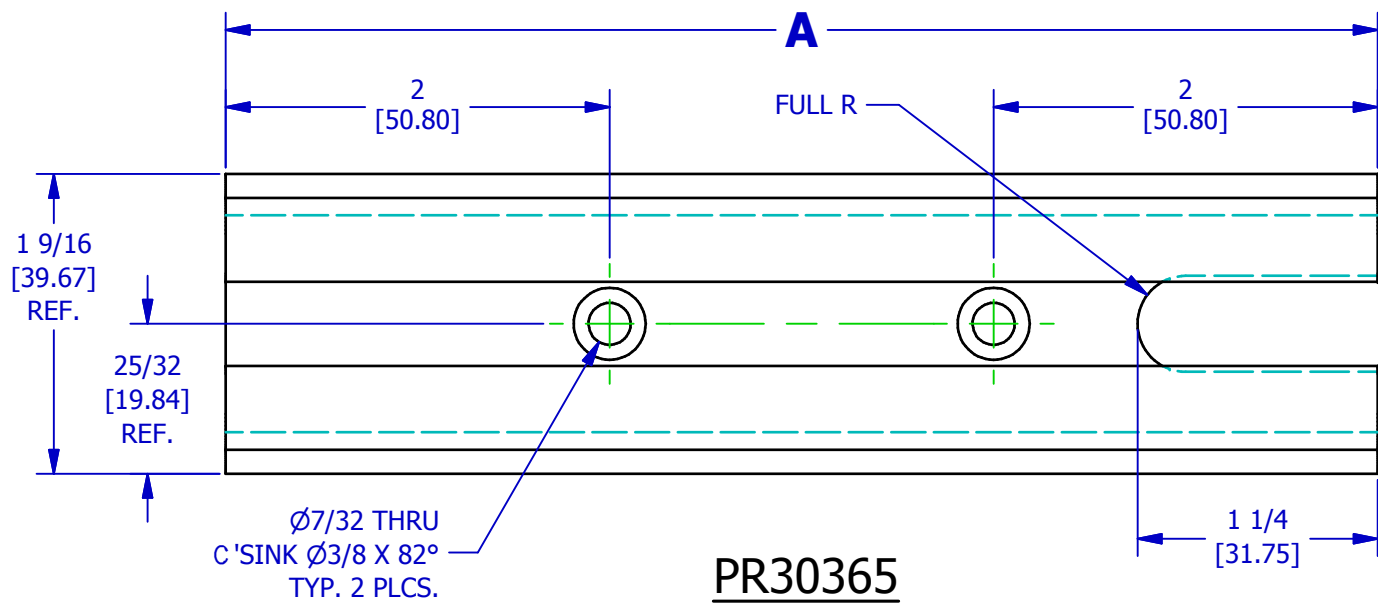


PART NO	"A"
PR30365-1	6" [152.4 mm]
PR30365-2	9" [228.6 mm]
PR30365-3	12" [304.8 mm]

REVISIONS						
DATE	REV.	SHT.	DESCRIPTION	DR.	CHK.	APVD.
05/27/04	A	1	MADE CHGS PER ECR # 23145	AM	MKP	AJC
01/19/07	B	ALL	REDRAWN IN INVENTOR; ADDED SHEETS 2 & 3	MJR	MKP	AJC
03/08/07	C	ALL	REVISED PER ECR # 28643	MJR	MKP	AJC
7/13/09	D	1	REVISED PER ECR 32881	MJR		



SHEET NO.	PR30365	
	1	OF 1
	REV	D

"THIS DESIGN IS THE PROPERTY OF THE PAWLING CORPORATION AND IS SUBMITTED IN CONFIDENCE. ALL RIGHTS RESERVED. COPYING OR IMITATION EXPRESSLY PROHIBITED. ALL OR PORTIONS OF THIS DESIGN MAY BE SUBJECT TO PROPRIETARY RIGHTS."

DRAWING NOT RELEASED UNTIL DATED AND APP'D BELOW

4/6/2004 AJC
DATE APVD

BREAK ALL SHARP CORNERS 1/32

DO NOT SCALE DRAWING © PAWLING CORP

MATERIAL
6063-T5 ALUM

PAINT/FINISH

TOLERANCE UNLESS NOTES
FRACTIONS ± 1/32
3 DECIMAL PLACES ± .010
2 DECIMAL PLACES ± .030
ANGLES ± 2°

SCALE
1/1
& NOTED

PAWLING CORP.
ENGINEERED PRODUCTS DIVISION

TITLE
PR4009 PNEUMA-CEL RETAINER

DR.	4/5/2004	AM
CHK.	4/5/2004	MKP
APVD.	4/6/2004	AJC

PR30365

REV	D
-----	---